

# Data Sheet Blasting Plug

Release date : 12.06.2010

Product range : 2" - 80"

Product code : BLP

Commodity / HS code : 73269098

Elskensakker 8, NL-5571 SK  
Bergeijk, The Netherlands

Tel +31 497 542527

Fax +31 497 555399

Email info@dhatec.nl

Web www.dhatec.nl

## Application:

The blasting plug provides effective bevel protection and pipe closure during the external blasting process. The internal pipe surface remains clean and the bevelled pipe-end is protected against damage and impact of steel grit. By choosing the right options from our Option List, the Blasting Plug is customized to fit each process.

## 5 reasons to choose this product:

1. No blasting grit inside the pipe
2. Protection of the beveled pipe-end during blasting
3. Strong clamping, on the first 25 mm of the pipe-end
4. Re-usable up to 1000 times
5. Diameter tolerances of 10 mm can be absorbed

## Material qualities:

Metal rings : DD 11 (Material nr: 1.0332)

Hand grips : St. 37-2

Rubber profile : EPDM 80°+5°shore A

Closing sheet : Cloth / EPDM 1,5 mm / Wire mesh

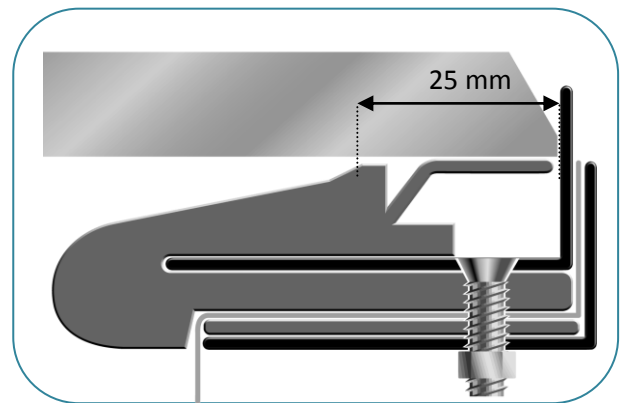


Fig 1: Cross-section pipe wall with Blasting Plug

## Function:

Always use two Blasting Plugs: one in each of the pipe-ends which run against each other during the process. The Blasting Plugs are fitted before the oven and removed after the blasting process.

## Additional information:

- Application temperature: -40 °C / +120 °C
- With help of different options, which you can choose from our Option List, the blasting plug can be made suitable for every blasting process
- The Blasting plug can run through a pre-heating oven and washing cabin



Fig 2: Blasting Plug applied in pipe